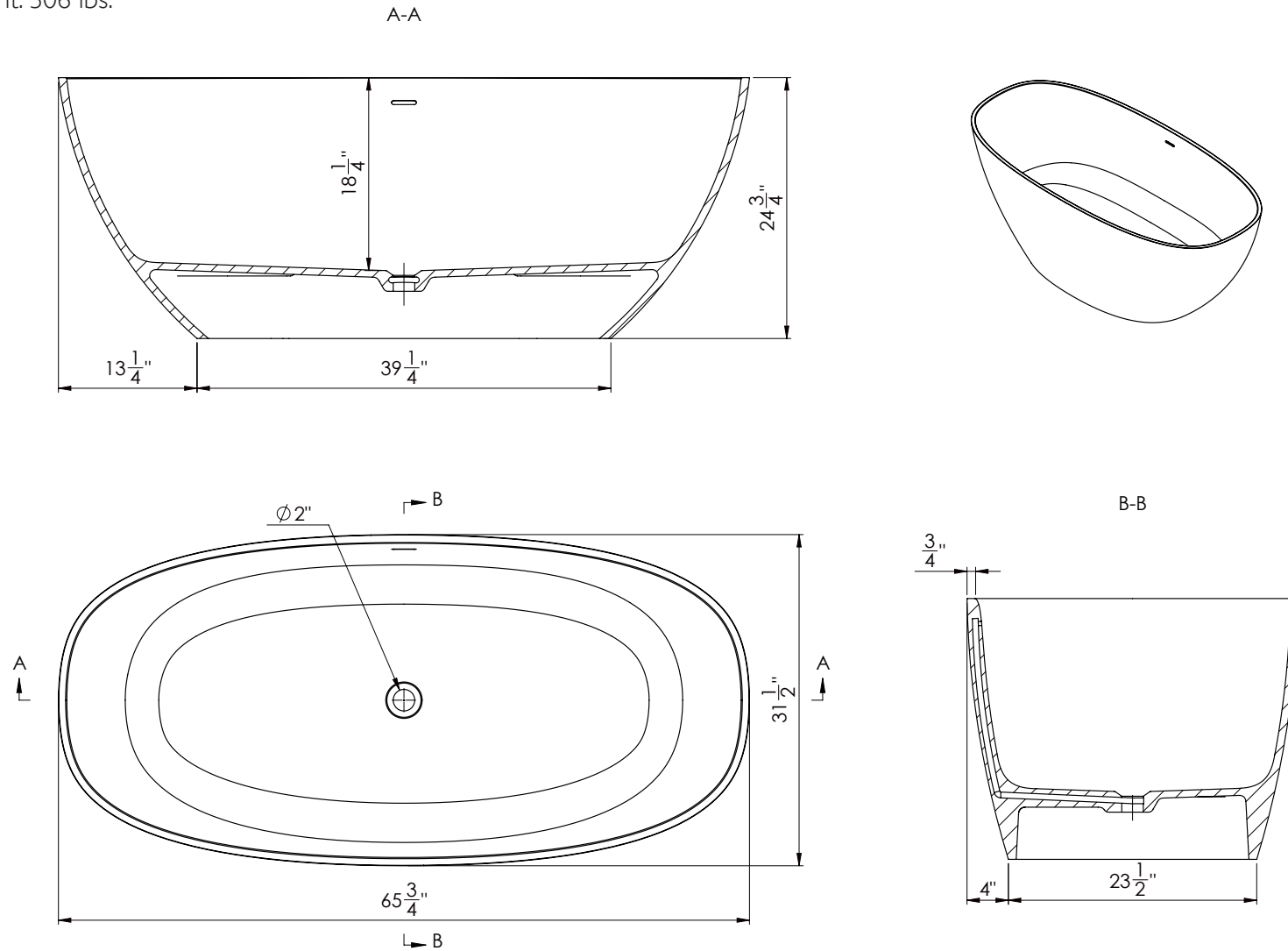




Cairo 66" Freestanding Bathtub

CAIRO66
CAIRO66-M

Material: Mineral Composite
Weight: 306 lbs.



Contact Studio41 for additional information and specifications. All products and specifications are subject to change without notice. Allure by Studio41 is not responsible for typographical and/or dimensional errors.

Note: Rough-in dimensions may vary $\pm 1/2"$ and are subject to change. No responsibility is assumed by Allure and Studio41.